

Quick Start Guide

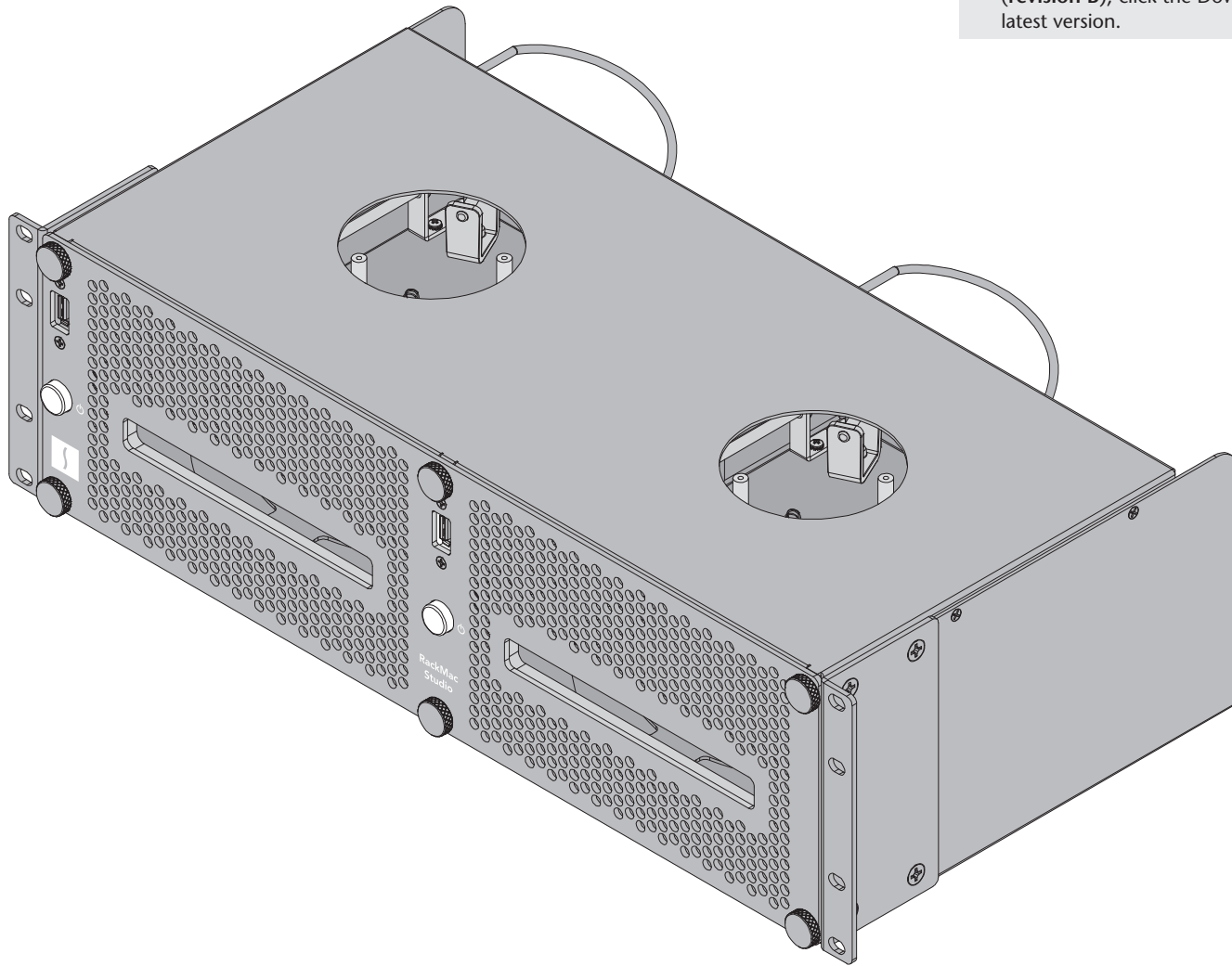
for RackMac Studio

Rackmount Enclosure for Mac Studio™

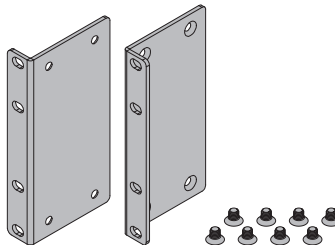
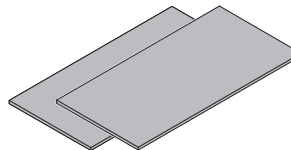
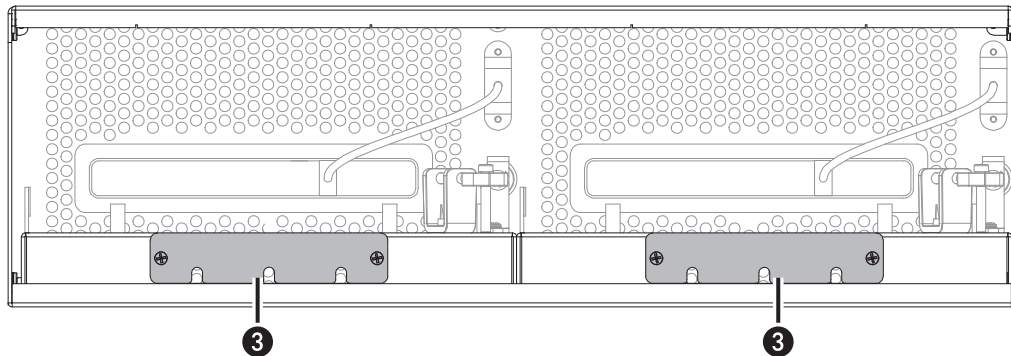
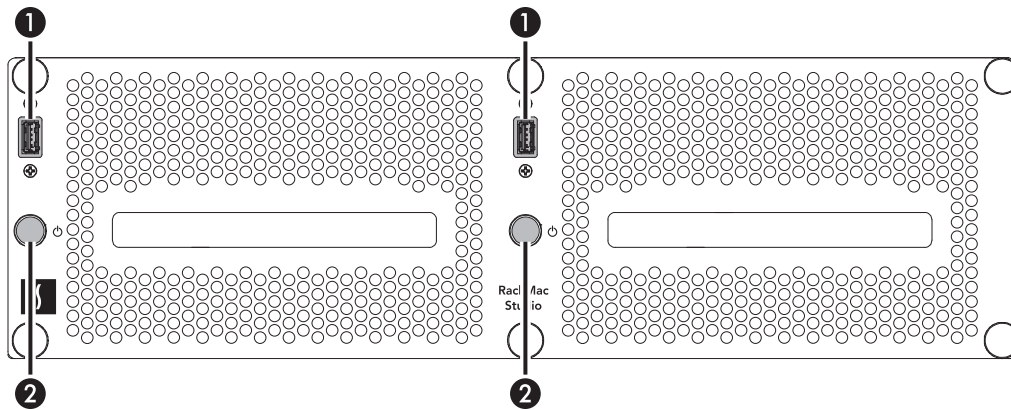


Support Note: This document was up to date at the time of printing. However, changes to the hardware may have occurred since then. Please check the Sonnet website for the latest documentation.

1. Go to <https://www.sonnetech.com/support/kb/kb.php>
2. Navigate to and click the RackMac Studio link.
3. Click the Manual link.
4. Click the RackMac Studio Quick Start Guide [English] link and then check the Document Version information. If the version listed is later than this document (**revision B**), click the Download Now button for the latest version.



RackMac Studio Package Contents Description



Rackmount Enclosure

1 – USB-A Ports

These connect to the installed Mac Studio computers to the right of the ports through cables attached to the front panel.

2 – Power Switches

These buttons activate the Mac Studios' rear-mounted power switches.

3 – Accessory Space/Airflow Integrity Cover Plates

Remove these to insert your Thunderbolt or USB SSDs (or other compact devices) up to 3.2-inches (81 mm) wide by 0.7-inch (17.7 mm) tall, and then reinstall the plates to secure the devices. Depending on its size, you may install more than one device. This plate must be reinstalled after removal to ensure the installed Mac Studio computers cool properly.

Additional Package Contents

Self-adhesive Magnets

These may be cut to size and affixed to Thunderbolt or USB SSDs or other devices (except for spinning drives) installed in the accessory spaces to secure them in place; instructions follow.

Rack Ears and Mounting Screws

Attach the ears to the rackmount enclosure with the eight included screws (four screws each); instructions follow.

Computer Installation Steps

1. Remove the RackMac Studio rackmount enclosure from its packaging, and then set it on a flat, level surface.
2. Using the eight supplied screws, secure the included rack ears to the rackmount enclosure (**Figure 1**).

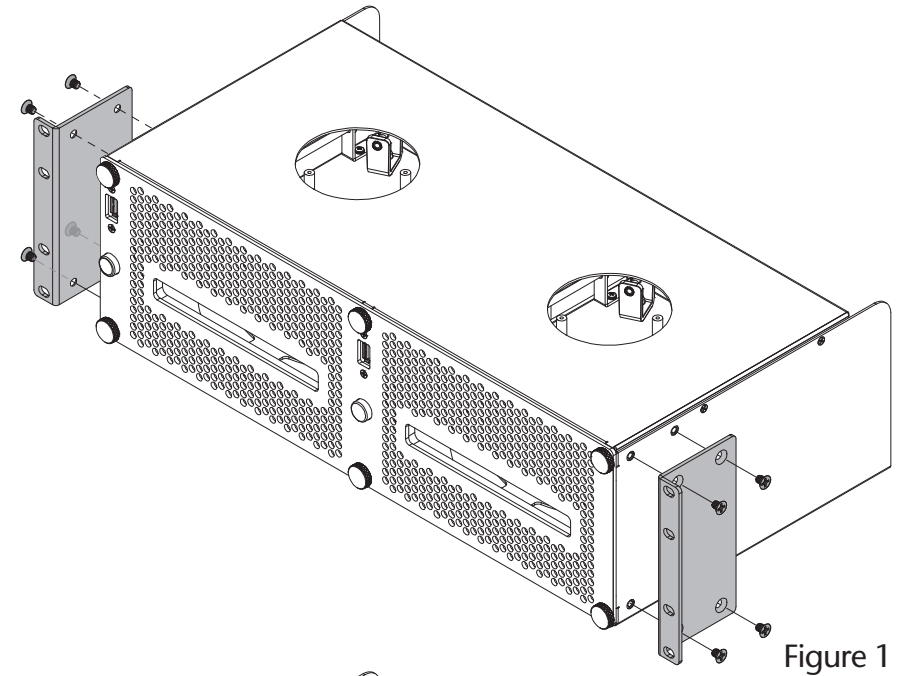


Figure 1

3. Turning them counter-clockwise, remove and set aside the six thumbscrews securing the front panel to the rackmount enclosure, and then remove and set aside the front panel (**Figure 2**).

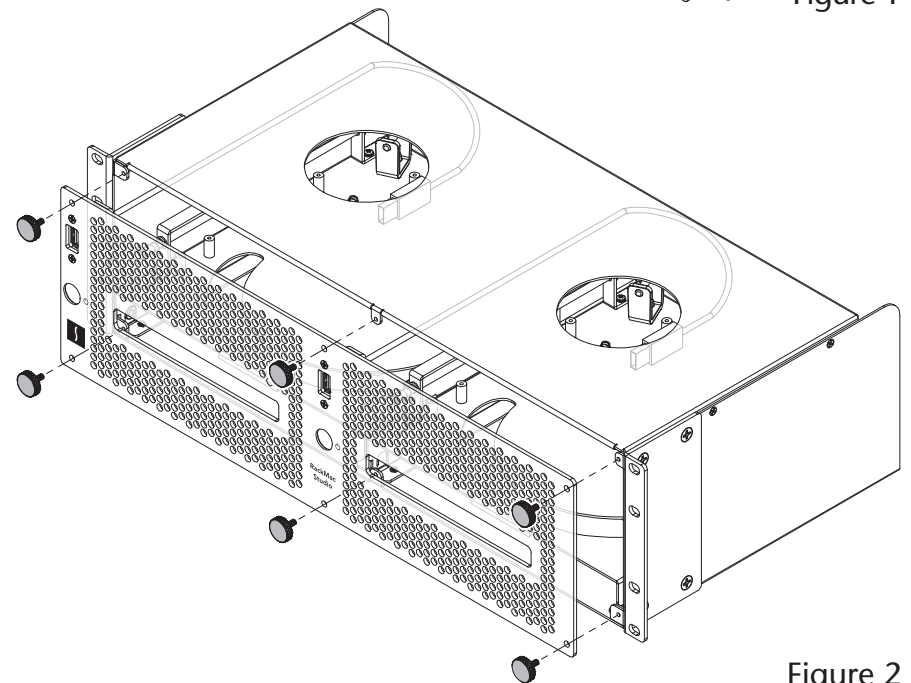


Figure 2

Computer Installation Steps

4. Remove a Mac Studio computer from its packaging, and then carefully insert it into the rackmount enclosure as shown. Push the computer in until it stops (**Figure 3**). Repeat this step if you are installing a second computer.

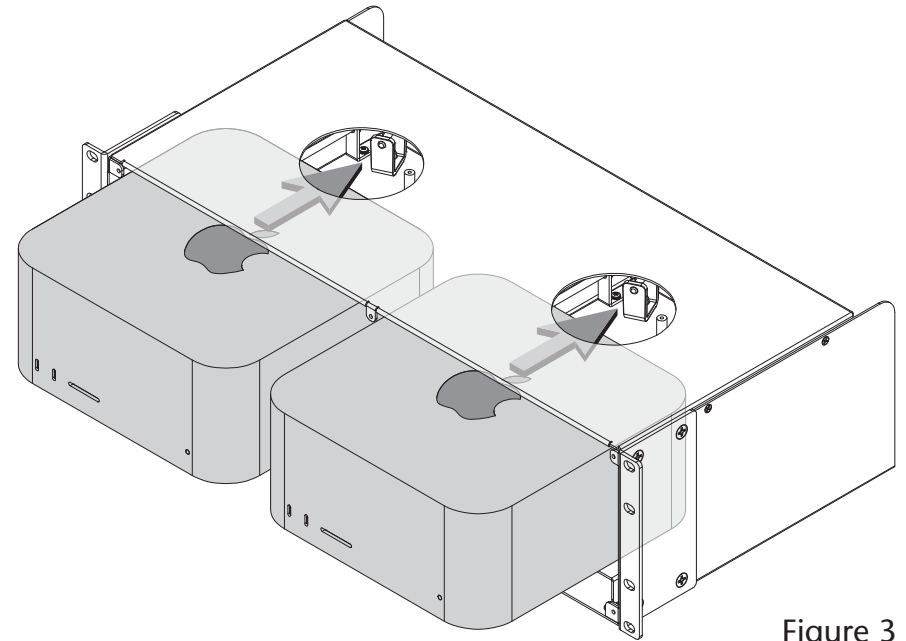


Figure 3

5. Route the front panel's USB cables through the enclosure above the power switch mechanisms as shown (**Figure 4**).
6. Using the six thumbscrews you removed previously, secure the front panel to the enclosure; **do not overtighten the screws** (**Figure 4**).

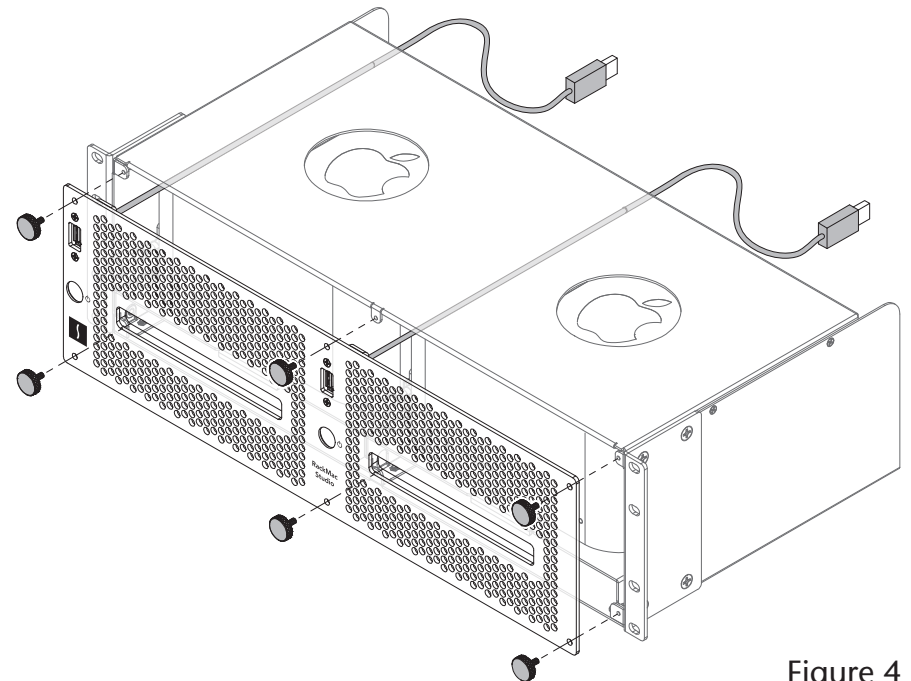


Figure 4

Computer Installation Steps

7. Connect the front panel USB cables to the computers (**Figure 5**).
8. If you are planning to place SSDs or other devices in one or both accessory spaces beneath each computer, skip to the Accessory Installation Steps below.
9. If you haven't already installed the RackMac Studio into its rack or case, do so now.
10. Connect interface and power cables between devices and computers as necessary; your installation is complete.

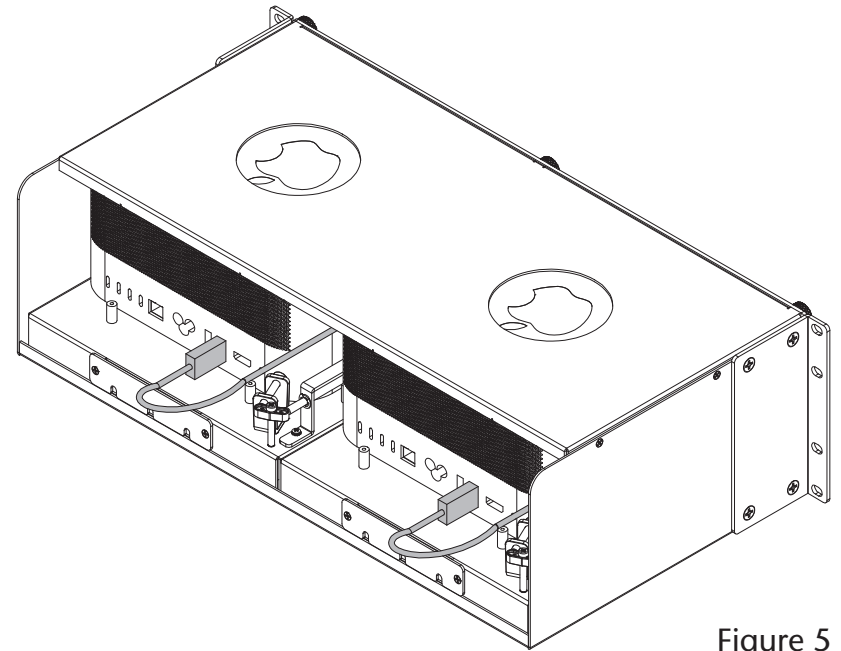


Figure 5

Accessory Installation Steps

The following steps explain how to utilize the space beneath each computer to install Thunderbolt or USB SSDs.

1. Using a Phillips screwdriver, remove the screws securing the accessory space/airflow integrity cover plate(s) to the back of the enclosure, and then set aside the screws and plates (**Figure 6**).

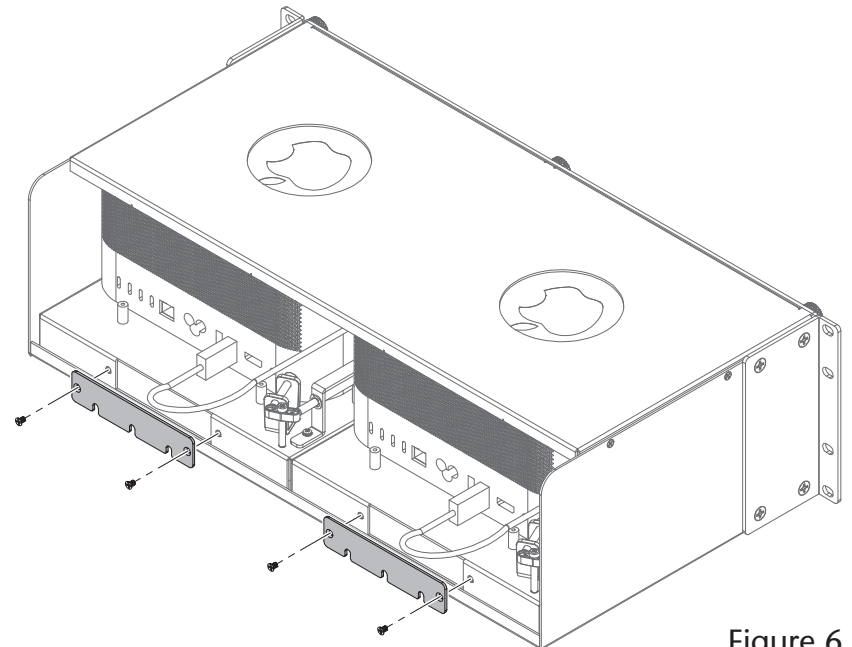



Figure 6

Accessory Installation Steps

 **Support Notes:** If the rack or case the RackMac Studio is installed in will be moved around, you should secure any drives or other devices you install inside the enclosure. If you are installing SSDs or some other device, use the included self-adhesive magnets to secure them. *Do not use the supplied magnets to secure spinning drives.*

If necessary, the magnets may be cut to size to fit the devices they are attached to.

2. **OPTIONAL STEP:** If you are installing something other a spinning drive, remove the protective backing from a supplied magnet and apply it to the bottom of the device (**Figure 7**).

3. Insert the devices into the spaces beneath the computers, placing them far enough back so that the devices' cables may be routed through the cover plates (**Figure 8**).

4. Connect the devices to the computers (**Figure 8**).

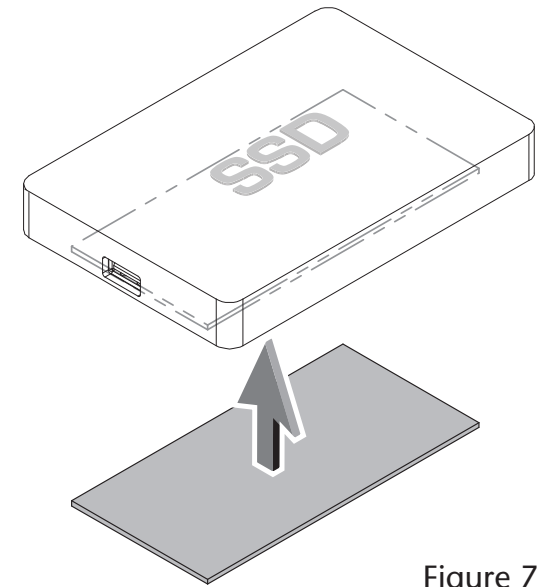


Figure 7

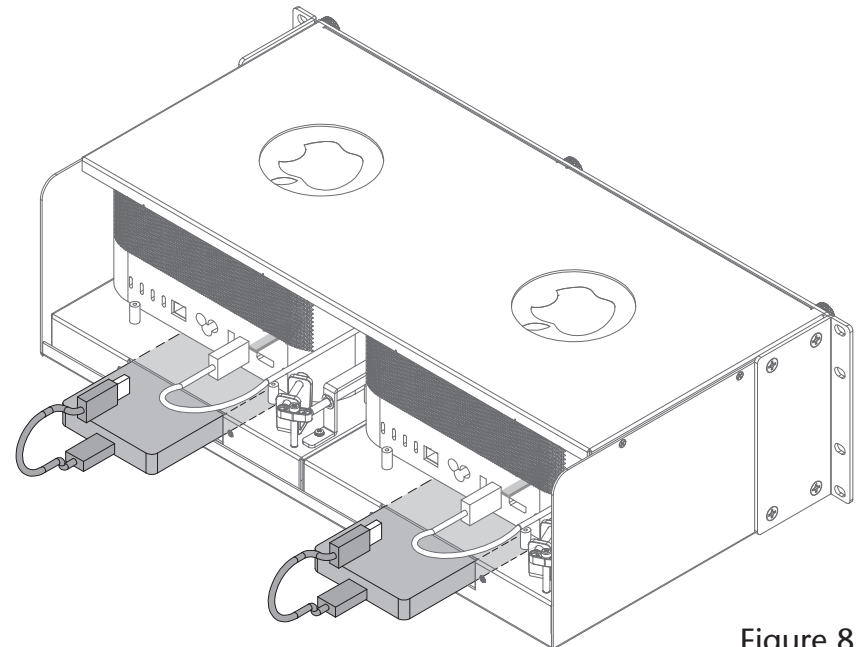



Figure 8

Accessory Installation Steps

- Using the previously removed screws, secure the accessory space/airflow integrity cover plates to the enclosure (**Figure 9**).

 **Support Note:** It is very important to reinstall the accessory space/airflow integrity cover plates in order to prevent the Mac Studios from drawing in warm air through the accessory space openings.

- If you haven't yet installed the RackMac Studio into its rack or case, do so now.
- Connect interface and power cables between devices and computers as necessary; your installation is complete.

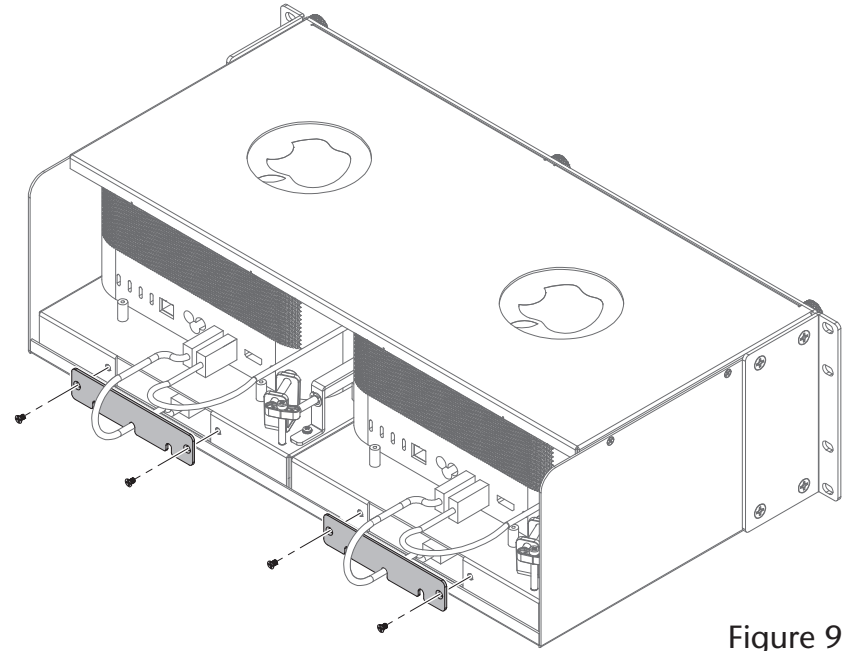


Figure 9

Precautions and Support Information

SAFETY PRECAUTIONS

Please read this section carefully. These precautions explain the correct and safe use of this device, thereby helping to prevent injury to you or others, and also help you to minimize the risk of damaging the device.

- Do not attempt to modify the enclosure. If this device appears to be malfunctioning, contact your reseller or local distributor.
- Do not drop the enclosure; dropping or mishandling enclosure may result in a malfunction leaving the product inoperable.
- Do not expose the device to rain, use it near water or containers that contain liquids which might spill into any openings, or in damp or wet conditions.
- Follow the instructions in this manual carefully; contact your reseller or local distributor for additional advice not covered in this quick start guide.

Contacting Customer Service

The Sonnet Web site located at www.sonnettech.com has the most current support information and technical updates. Before contacting Customer Service, please check our Web site for the latest updates and online support files, and check this Quick Start Guide for helpful information.

Email support requests generally receive the fastest responses, and are usually processed within a 24-hour period during normal business hours, excluding holidays. When you contact Customer Service, have the following information available so the customer service staff can better assist you:

- Product name

If further assistance is needed, please contact **Sonnet Customer Service** at:

E-mail: support@sonnettech.com

Tel: 1-949-472-2772

(Monday–Friday, 9 a.m.–5 p.m. Pacific Time, excluding holidays)

Japan Customers

Contact Sonnet Customer Service Japan at:

E-mail: jp.support@sonnettech.com